

NOW AVAILABLE  
THROUGH  
STEQ AMERICA



**memmert**  
Experts in Thermostatics

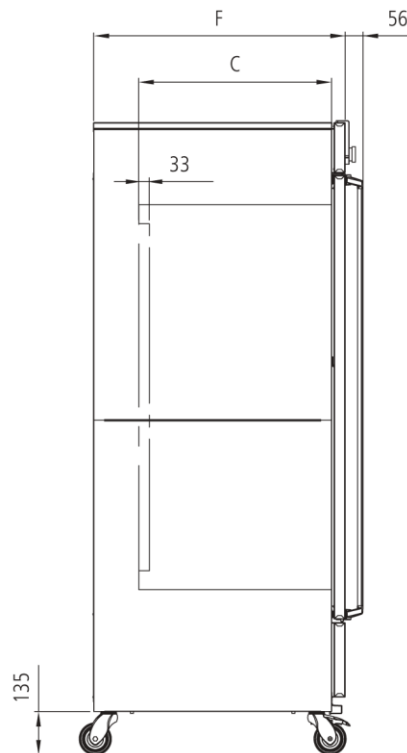
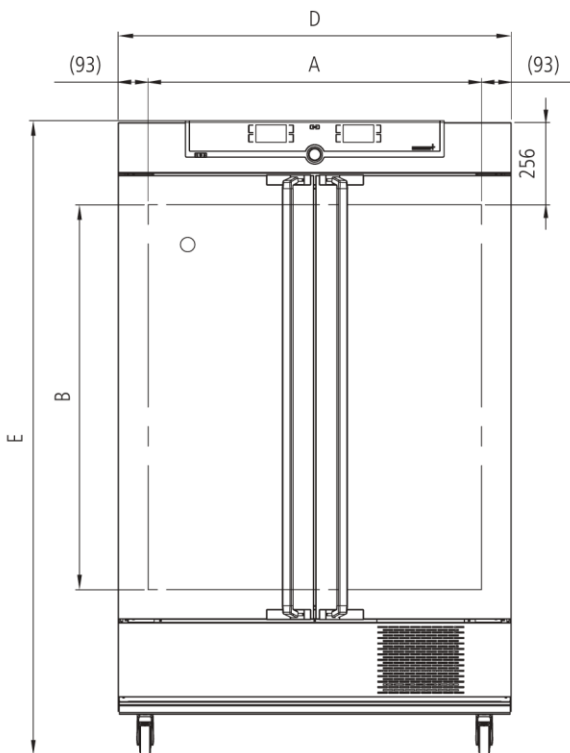
## Product specification

### Climate Chamber ICH750C

Unparalleled homogeneity of temperature and humidity! For stability testing according to ICH - WHO - EMA - ASEAN - GMP - GLP – GCCP.



On this page, you can find all the essential technical data on the Memmert climate chamber ICH. Our customer relations team will be pleased to help if you want further information.



## Control of standard components

<b>CO2</b>	CO2-supply via sterile filter
<b>CO2</b>	digital electronic CO2-control with automatic zeroing (infrared measuring system) - adjustment range 0-10 % - resolution 0.1 %
<b>CO2</b>	intrinsic adjustment of altitude above sea level
<b>CO2</b>	CO2-supply interruption upon door opening
<b>ControlCOCKPIT</b>	adaptive multifunctional digital PID-microprocessor controller with 2 high-definition TFT-color displays
<b>Temperature</b>	2 Pt100 sensors Class A in 4-wire-circuit, mutually monitoring and taking over the performance at the same temperature value
<b>Timer</b>	Digital backwards counter with target time setting, adjustable from 1 minute to 99 days
<b>Humidity</b>	humidity supply with distilled water from external tank by self-priming pump
<b>Humidity</b>	active humidifying and de-humidifying adjustable from 10-80 % rh with digital display of relative humidity - resolution of display 0.1 %, setting accuracy 0.5 %
<b>Humidity</b>	humidity supply with distilled water from external tank by self-priming pump
<b>Humidity</b>	humidification by hot steam generator

## Temperature

	from +10°C up to +50°C
<b>resolution of display for set point and actual temperature values</b>	0.1°C

## Control technology

<b>adjustable parameters</b>	temperature (Celsius or Fahrenheit), fan speed, CO2, program time, time zones, daylight savings time
<b>Calibration</b>	three freely selectable values each, temperature/humidity, for two freely selectable values CO2
<b>Function SetpointWAIT</b>	the process time does not start until the set temperature is reached
<b>Language setting</b>	German/English/Spanish/French

## Ventilation

<b>Fan</b>	forced air circulation in working chamber adjustable from 10 to 100 % in 10 % steps, fixed value 50 % when working with CO2
------------	-----------------------------------------------------------------------------------------------------------------------------

## Communication

<b>Programming</b>	AtmoCONTROL software on a USB stick for programming, managing and transferring programs via Ethernet interface or USB port
<b>Documentation</b>	program stored in case of power failure

## Safety

<b>Autodiagnostic system</b>	integral fault diagnostics for temperature, CO2 and humidity control
<b>Alarm</b>	audible and visual
<b>Temperature control</b>	over- and undertemperature monitor TWW, protection class 3.3 or adjustable temperature limiter TWB, protection class 2, selectable on display
<b>AutoSAFETY</b>	additionally integrated over- and undertemperature protection "ASF", automatically following the set point value at a preset tolerance range, alarm in case of over- or undertemperature, heating is switched off in case of overtemperature, compressor in case of undertemperature
<b>Temperature control</b>	mechanical temperature limiter TB, protection class 1 according to DIN 12880 to switch off the heating approx. 10°C above nominal temperature

## Heating concept

no drying-up of the load caused by the cooling device due to separation of thermal jacket from interior

energy-saving use of CFC-free cooling/heating system (refrigerant R134a)

highly efficient automatic defrosting system

air jacket heating system for gentle all-around heating

## Standard equipment

<b>Door</b>	fully insulated stainless steel doors with 2-point locking (compression door lock)
<b>Door</b>	inner glass doors
<b>Housing</b>	rear zinc-plated steel
<b>Installation</b>	on lockable castors
<b>Internals</b>	2 stainless steel grids

## Stainless steel interior

$w_{(A)} \times h_{(B)} \times d_{(C)}$ : 40.9" x 47.2" x 23.6"

Volume 749 l

Max. loading of chamber: 441 lbs

## Textured stainless steel casing

$w_{(D)} \times h_{(E)} \times d_{(F)}$ : 48.2" x 76.8" x 32.8"

## Electrical data

230 V (+/- 10%), 50/60 Hz / approx. 5.9 amps

115 V (+/- 10%), 50/60 Hz / approx. 11.8 amps

### Packing/shipping data

the appliances must be transported upright

Customs tariff number	8419 8998
Country of origin	Federal Republic of Germany
WEEE-Reg.-No.	DE 66812464
	Dimensions approx. incl. carton B x H x T: 52.4" x 84.6" x 41.3"
	Net weight approx. 549 lbs
	Gross weight carton approx. 704 lbs

Standard units are safety-approved and bear the test marks



#### YOUR MEMMERT PARTNER

**STEQ America, LLC.**  
1456 Ferry Road, #501  
Doylestown, PA 18901  
p: (267) 245-7010  
e: [info@steqamerica.com](mailto:info@steqamerica.com)  
w: [www.steqamerica.com](http://www.steqamerica.com)

